

FPS *SR* series

6" Submersible Pumps

Assembly and Disassembly Instructions



Franklin Electric

Disassembly Procedure



Screw out the two M4 screws fastening cable guard.



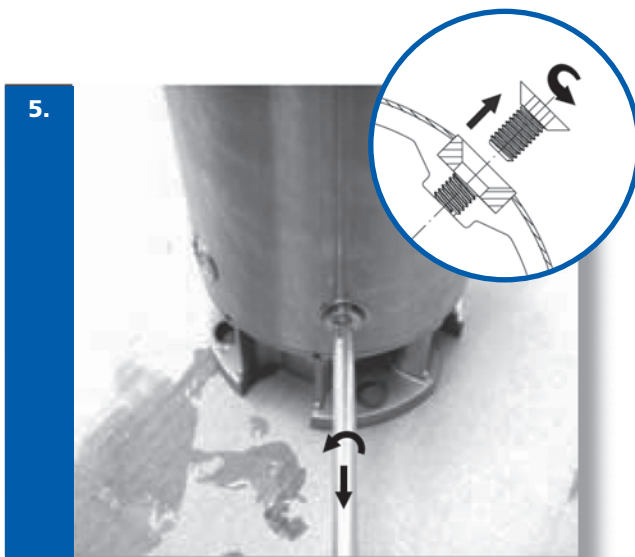
Remove cable guard and suction strainer.



Screw out clamping screws diagonally little by little until they are completely unloosed.



Keep some space between motor adaptor and top of the screws.

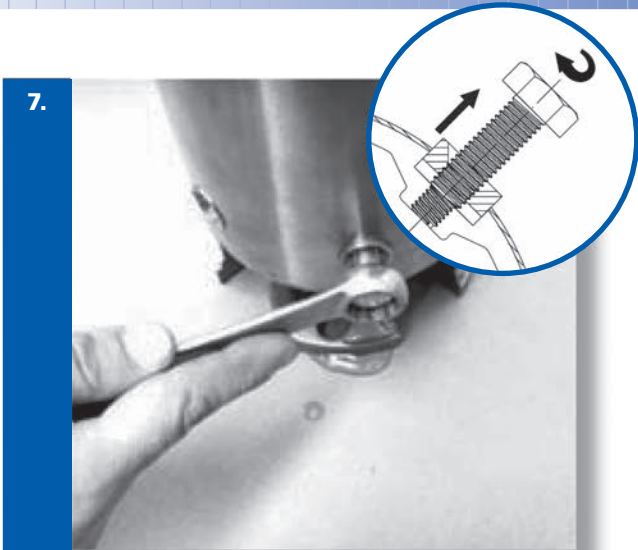


Screw out M8 screws fixing locking inserts to motor adaptor.

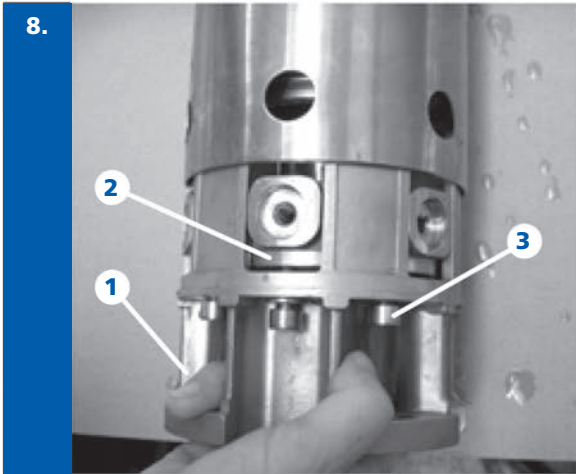


Use a M10 screw to remove locking inserts.

Disassembly Procedure



7. Screw in M10 screw in the centre of locking insert and use it as an extractor.



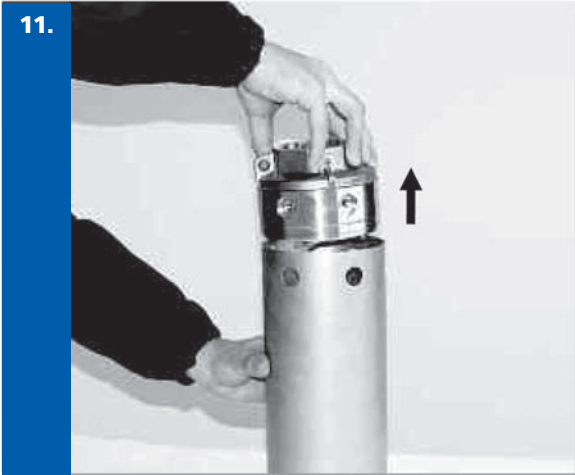
8. Remove motor adapter (1) with clamping ring (2) linked each other by the unloosed screws (3).



9. Pull out hydraulic group (stages+ pump shaft + coupling).

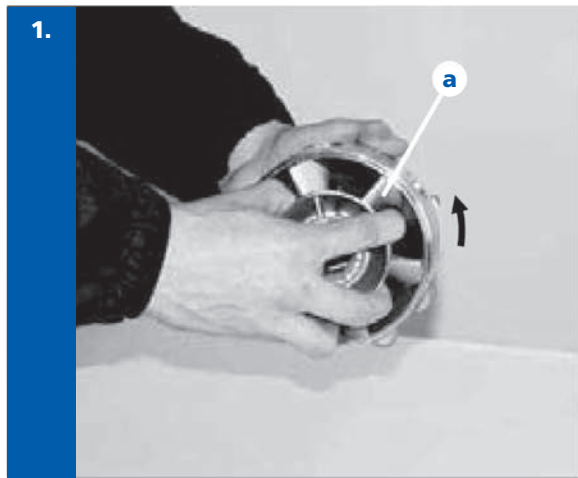


10. Repeat operations 5-6-7 to remove discharge head.

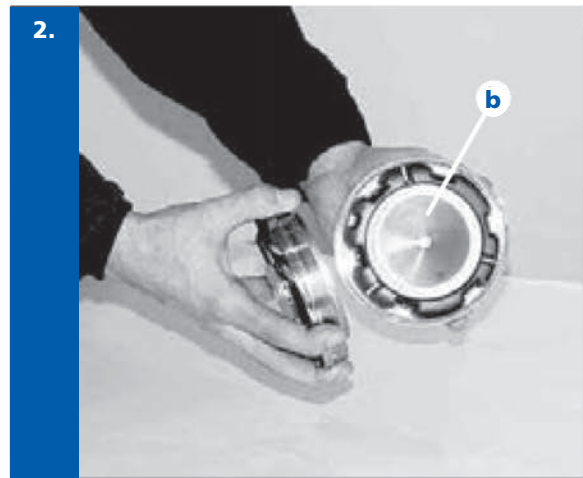


11. Pull out discharge head.

Discharge Head with built-in Check Valve



Screw out upper stage/valve seat (a) from discharge head.



Remove check valve (b).



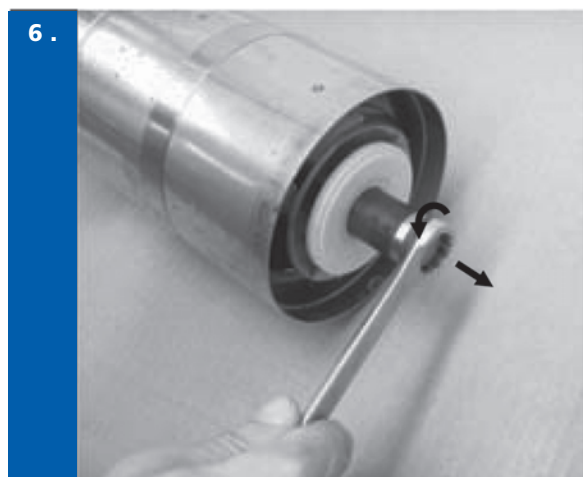
Remove valve disk sealing o-ring.



Remove upper bowl sealing o-ring.

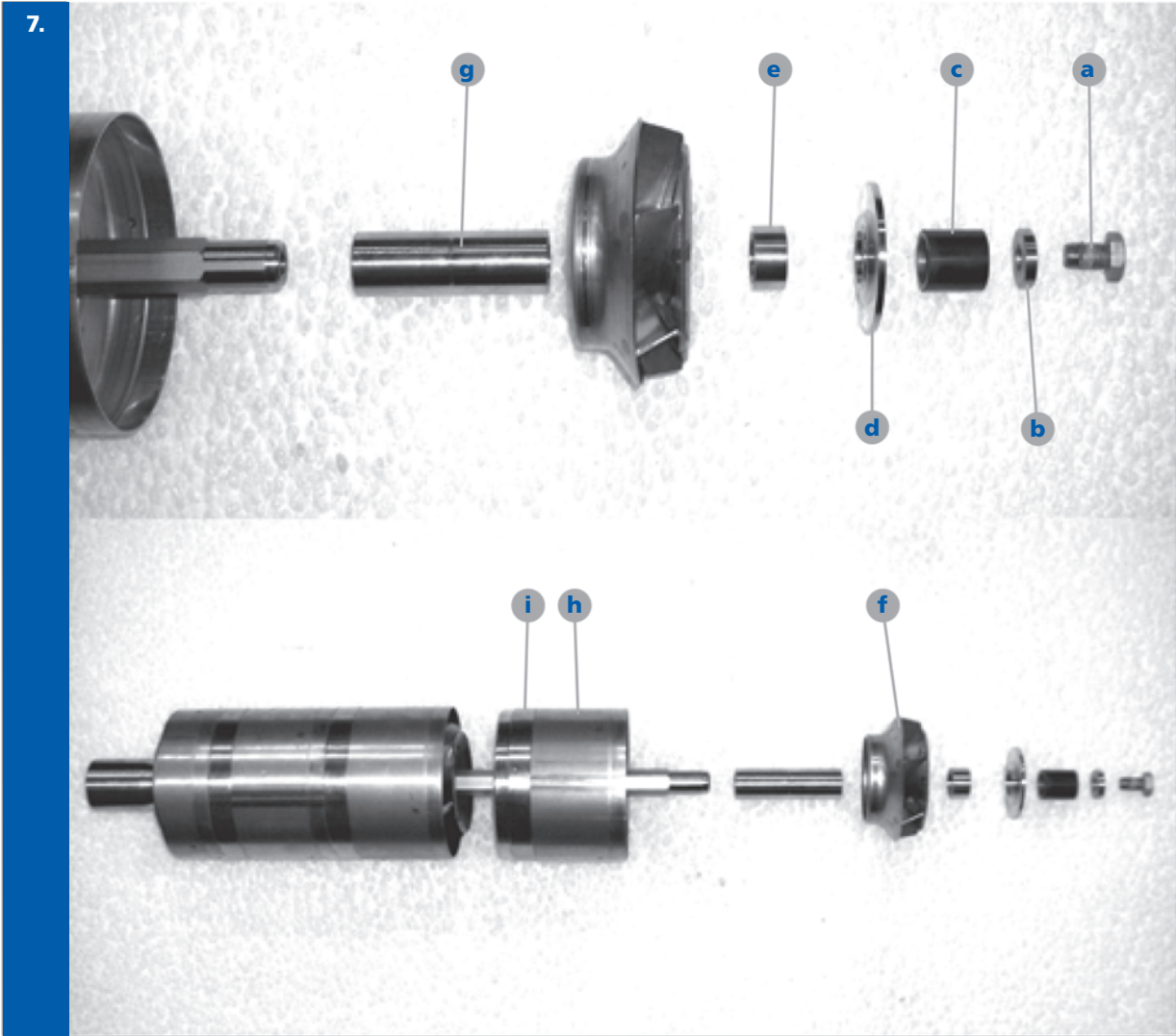


Pull out upper bearing bush from upper bowl.



After securing the pump-motor coupling in a vice, screw out M12 screw which preloads all impellers and relevant spacers.

Disassembly Procedure



Now it is possible to remove: screw M10x25 (a); washer (b); secondary bearing bush(c); up-thrust washer (d); spacer (e); impeller (f); secondary journal sleeve (only models 45/60-125) (g); stage (h); diffuser (only models 45/60-125)(i).

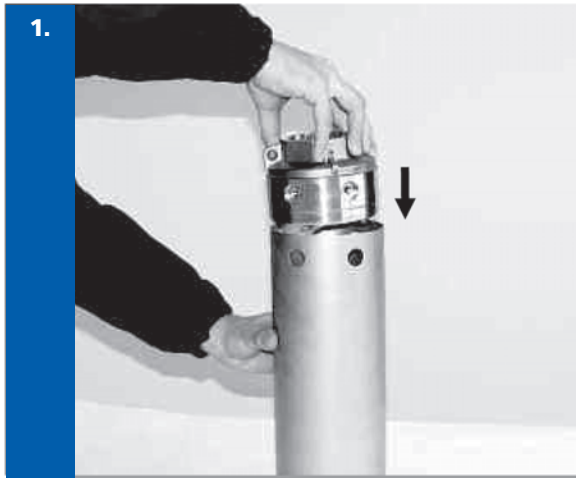


Remove secondary bearing bush from diffuser (mixed flow stage diffuser).



Remove secondary bearing bush from diffuser (radial flow stage diffuser).

Re-assembly Procedure



Insert discharge head into outer case with motor adapter.



Insert locking inserts by hand or using a plastic mallet.

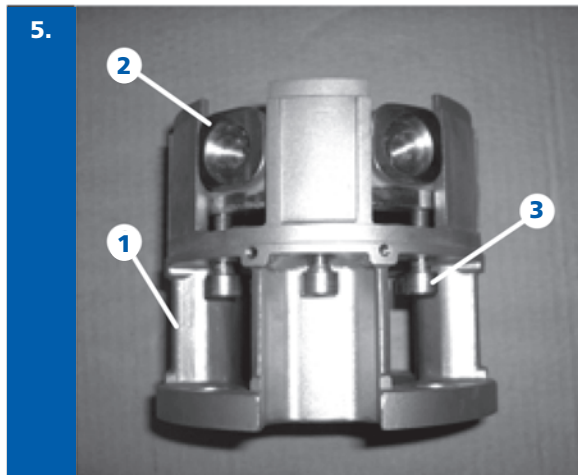


Screw in M8 screws fastening locking inserts to discharge head.

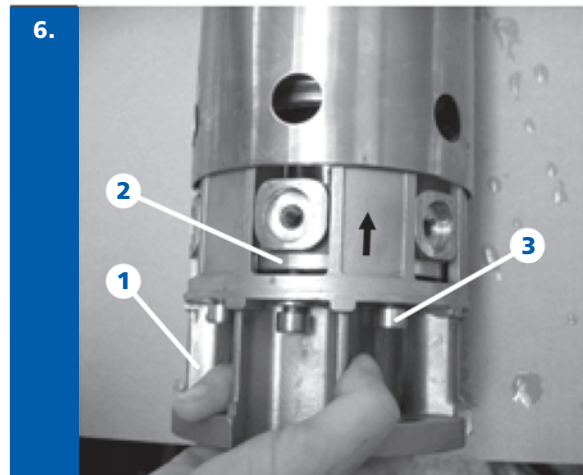


Insert hydraulic group and make sure that bowl couples discharge head.

Re-assembly Procedure



Pre-assemble motor adapter (1) with clamping ring (2) linked each other by unloosed screws (3).



Insert motor adapter (1) with clamping ring (2) linked each other by unloosed screws (3).



Align holes and slots to fix cable guard between discharge head and motor adapter.



Insert locking inserts by hand or using a plastic mallet.



Screw in M8 screws fastening locking inserts.



Screw in clamping screws diagonally little by little until motor adapter is perfectly coupled to outer case.

Re-assembly Procedure



Once outer case and motor adapter are perfectly coupled, fasten screws using a torque wrench at 17.5 Nm.



Position suction strainer and cable guard.



Fasten cable guard with two M4 screws.



Check axial clearances of pump.



Franklin Electric

AUSTRALIA / NEW ZEALAND

Franklin Electric (Australia) Pty. Ltd.
106-110 Micro Circuit
Dandenong South, Victoria 3175
Australia

Toll Free: 1300 FRANKLIN

Fax: +61 3 9799 5050

Tel: +61 3 9799 5000

www.franklin-electric.com.au